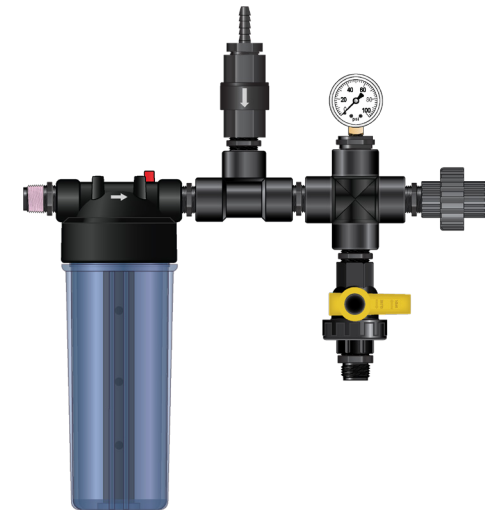


### Nutrient Delivery System Models

MODEL NUMBER	MODEL
D25RE2VFBPHY	
D14MZ2VFBPHY	
D14MZ10VFBPHY	
D14MZ3000VFBPHY	

## Nutrient Delivery System



**NOTE:** Installation illustrations are to be used as a reference guide only.

**END Kit - 3/4"**

**Part #: HYKEND**

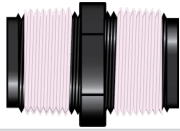
2090 Sunnydale Blvd. • Clearwater, FL 33765  
 1-800-451-6628  
[www.dilutionsolutions.com](http://www.dilutionsolutions.com)



LIT-EN-HYKEND

# Nutrient Delivery System 3/4" END Kit - Step-by-Step Assembly Instructions

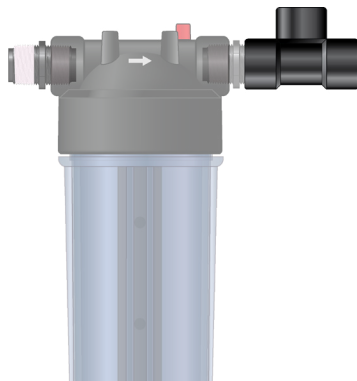
- 1** Wrap 5 to 6 turns of **Teflon®** tape on all threads. Make sure to wrap tape clockwise to prevent from unravelling.



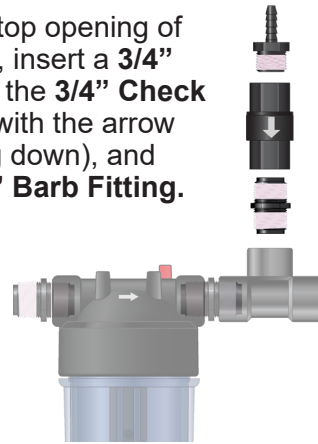
- 2** Insert a 3/4" Nipple into both inlet and outlet of the **Mixing Chamber**.



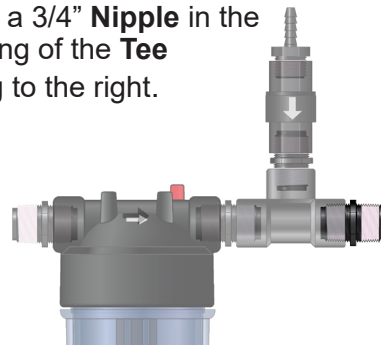
- 3** Attach the **Tee** to the **Nipple** on the right. Please note flow direction indicated by the arrow on the **Mixing Chamber**.



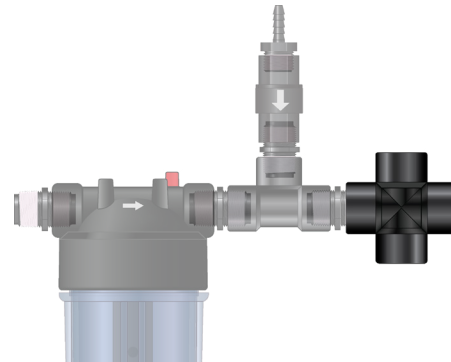
- 4** On the top opening of the **Tee**, insert a 3/4" Nipple, the 3/4" Check Valve (with the arrow pointing down), and the 3/4" Barb Fitting.



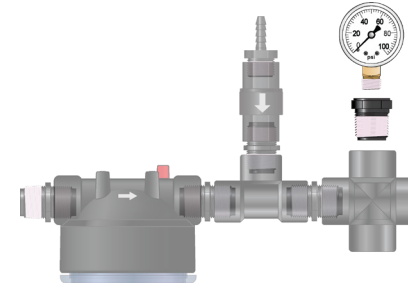
- 5** Insert a 3/4" Nipple in the opening of the **Tee** facing to the right.



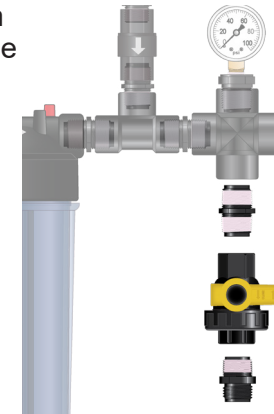
- 6** Attach the **Cross** to the **Nipple** on the right of the assembly.



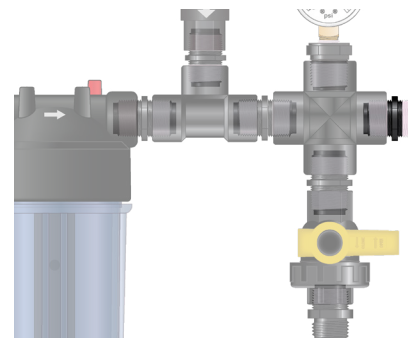
- 7** Insert the 3/4" to 1/4" Reducer Bushing and the **Pressure Gauge** to the top of the **Cross**.



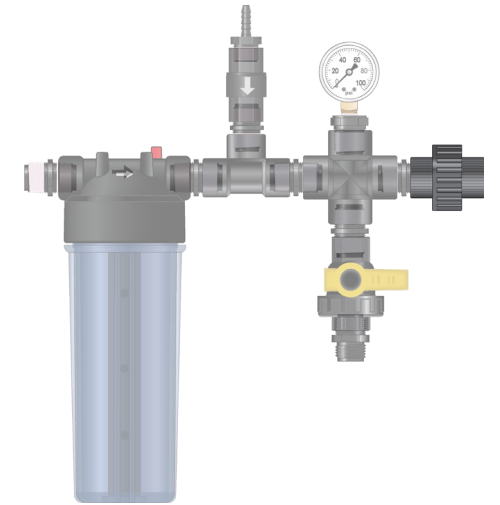
- 8** At the bottom opening of the **Cross**, attach a 3/4" Nipple, the **Ball Valve**, and the **Hose Adapter**.



- 9** Insert a 3/4" Nipple in the opening to the right of the **Cross**.



- 10** Connect the **Union** to the **Nipple** on the right.



## Kit Includes:

- |                                  |                                  |
|----------------------------------|----------------------------------|
| 6 - 3/4" Nipples                 | 1 - 3/4" Check Valve             |
| 1 - Mixing Chamber               | 1 - 3/8" Barb Fitting (3/4" NPT) |
| 1 - 3/4" Tee                     | 1 - Banjo® Ball Valve            |
| 1 - 3/4" Cross                   | 1 - Hose Adapter                 |
| 1 - 3/4" to 1/4" Reducer Bushing | 1 - Union                        |
| 1 - Pressure Gauge               | 1 - Roll of Teflon® Tape         |

END Starter Kit includes parts listed.  
Dosatron injector sold separately.

Questions? Call **1-800-451-6628**.