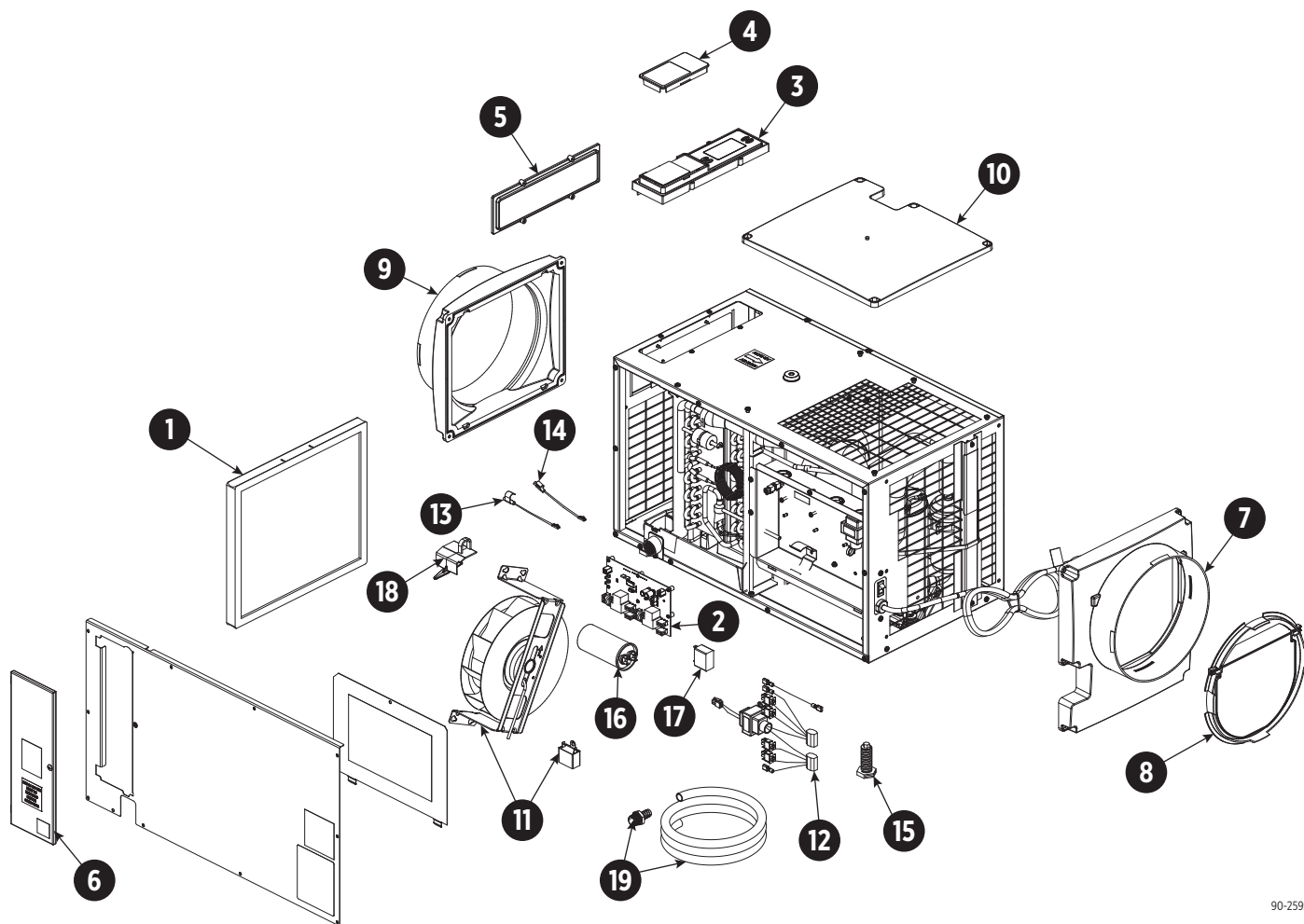


SERVICE PARTS



90-2595

No.	Part Description	Part No.
1	Filter, 11.88" x 13.5" x 1", MERV 11	5895
2	Internal Control Board, Deh	5444
3	User Interface Assembly, Deh	5738
4	Wiring Access Door, Deh	5446
5	Hole Cover, UI Ctrl, Deh	5447
6	Door, Filter Access, Deh	5882
7	Outlet Duct Panel, Deh	5449
8	Backflow Damper, 10", Deh	5450
9	Inlet Duct Panel, Deh	5451
10	Cover, Outlet, Deh	5452
11	Fan with 12MFD Capacitor	5886

No.	Part Description	Part No.
12	Wire Harness, Power, Deh	5884
13	Sensor, Low Temperature, Deh	5455
14	Sensor, High Temperature, Deh	5456
15	Leveling Foot, Deh	5457
16	Capacitor, Run, 50µF	5594
17	Capacitor, 12MFD, 450VAC	5468
18	Drain Insert	5885
19	Drain Tube + Fitting	5692
Not Shown		
	Condensate Pump with Tubing	4856
	Alert Light	5818