

Quick Valve



Quick Valve (patented)

Table valve for Quick drainage

The Quick Valve is the answer to many growers' wish for reducing the drainage time in terms of ebb/flow tables and so improving the control of plant and root growth. The Quick Valve has been equipped with a separate drainage device, functioning according to the siphon principle. Consequently, the drainage time is reduced with up to 80% compared to traditional ebb/flow systems.

The Quick Valve incorporates following features:

- Automatic oxydation of the nutrient solution during filling
- Variation of filling time according to inside hole size
- Possible connection to PE-pipes of 8 mm to 12,5 mm
- Reliable valve without moveable parts

The Quick Valve can be used in terms of all traditional table systems and can be used as a direct substitute for traditional ebb/flow valves, since the existing filling system is reusable.

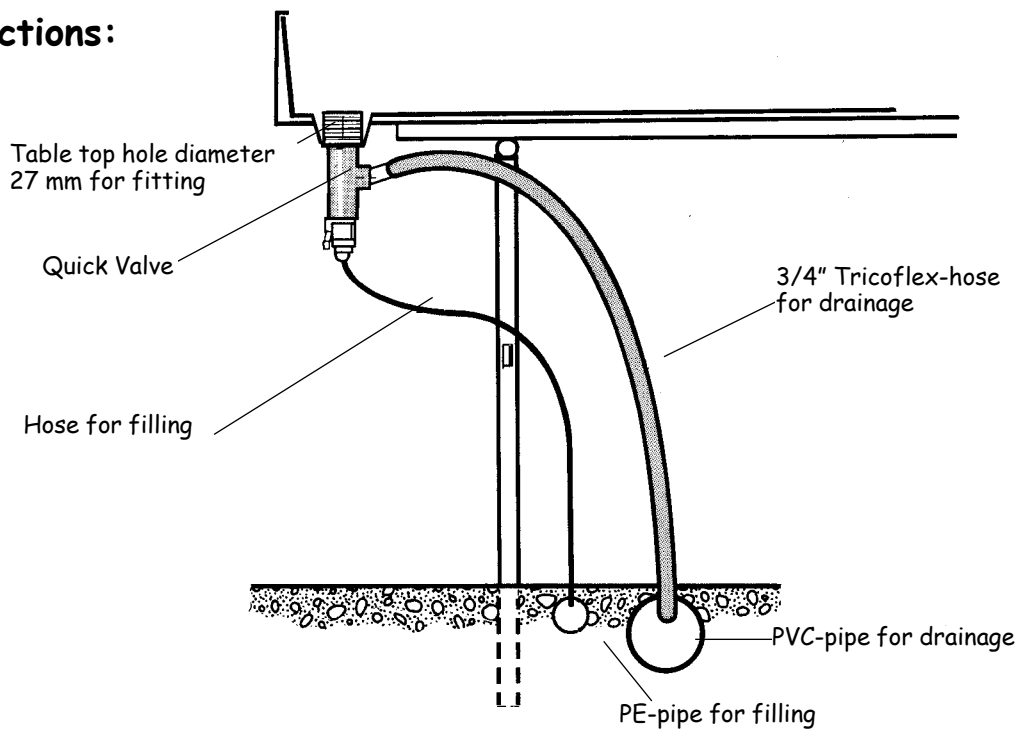


The simple and solid design without moveable parts counteracts cloggings and secures absolute reliability.



During the filling process the Quick Valve oxidizes the nutrient solution with air being sucked in, due to underpressure.

Functions:



Filling capacity diagram for the Quick Valve (Litres/Min.)

Pressure in bar

4,0	16,6	19,1	23,0	27,5	32,5	36,4	39,1						
3,5	16,4	18,4	21,7	26,1	31,2	33,8	38,0	40,0					
3,0	15,1	17,6	20,6	24,7	29,5	32,4	35,4	36,3	38,8				
2,5	14,2	15,7	19,4	23,5	27,4	30,1	32,5	33,7	35,3	36,0			
2,0	12,6	14,2	16,7	21,6	24,7	26,7	28,7	29,5	31,5	32,6	33,3		
1,5	11,4	12,8	16,2	19,1	21,6	23,2	24,9	26,6	26,8	27,5	29,4	32,2	
1,0	9,2	10,5	12,8	15,2	16,7	18,5	19,7	21,2	21,4	22,1	22,4	23,5	26,2

4,0 4,5 5,0 5,5 6,0 6,5 7,0 7,5 8,0 8,5 9,0 9,5 10,0

Inside hole diameter in valve (mm)

Drainage:

Capacity of each Quick Valve about 28 litres per min. until the siphon impact stops - i.e. when the table is nearly emptied for nutrient solution. The rest will run off the table without using the siphon impact.